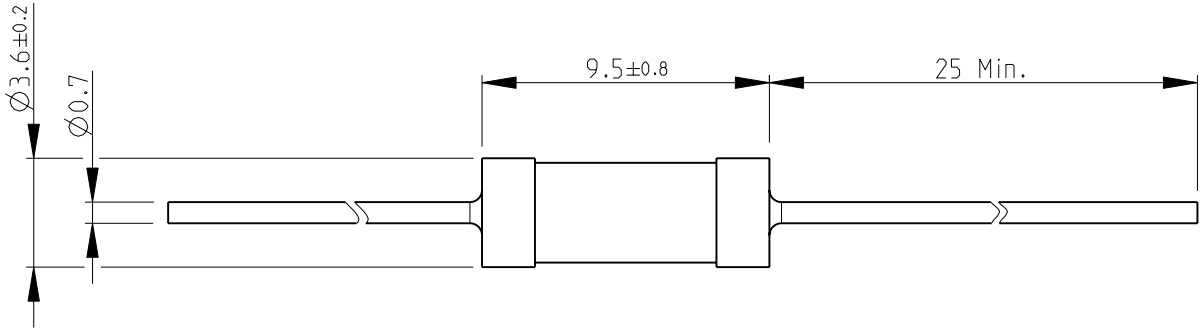
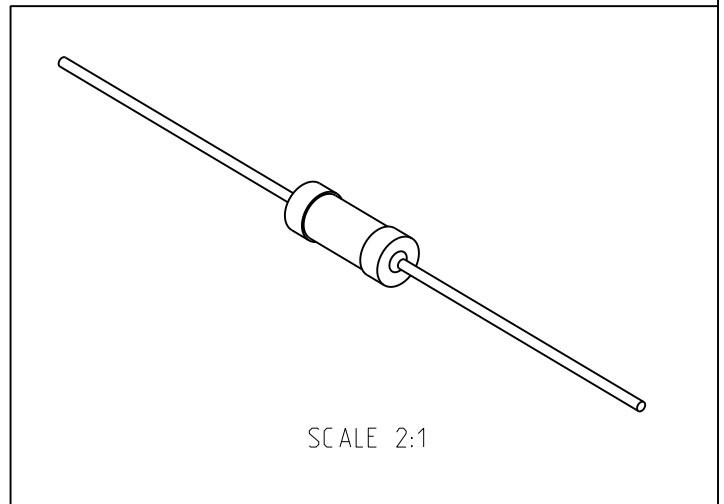


LOC	DIST	REVISIONS			
P	LTR	DESCRIPTION	DATE	DWN	APVD
E	B	A1	REVISED PER ECO-11-005150	29MAR2011	RK HMR

FOR FURTHER INFORMATION SEE DATA SHEET FOR
CBT SERIES-CARBON COMPOSITION RESISTORS



RoHS Compliant



SCALE 2:1

2008


RELEASED FOR PUBLICATION

ALL RIGHTS RESERVED.

THIS DRAWING IS UNPUBLISHED.

BY -

© COPYRIGHT 2008

DIMENSIONS: mm	DWN	18-Sep-08	MATERIAL	-	FINISH	-
	CHK	18-Sep-08	 TE Connectivity			
TOLERANCES UNLESS OTHERWISE SPECIFIED:	APVD	18-Sep-08				
	STEPHEN.P		NAME	CARBON COMPOSITION RESISTORS SERIES CBT50		
0 PLC ± 0.2	PRODUCT SPEC	-	SIZE	CAGE CODE	DRAWING NO	RESTRICTED TO
1 PLC ± 0.1		-	A 4	00779	C-1625876	-
2 PLC \pm	APPLICATION SPEC	-	CUSTOMER DRAWING			
3 PLC \pm		-	SCALE	4:1	SHEET 1 OF 1	REV A1
4 PLC \pm	WEIGHT	-				
ANGLES $\pm 5^\circ$		-				

